

MODERN FORMS  
SMART FANS

---

2020





# DESIGN INTEGRITY

Intentionally engineered  
for durability and continuity throughout your design.

---





## WET

ALL our fans are Wet Rated and are built to last. Quality materials crafted to endure the harshest of environments.

---



## COHESIVENESS

We bring design continuity to your space. Our fans create a fluid connection between all.

---



## MATERIALS

Sturdy die-cast aluminums & marine-grade stainless steel housings provide elegance and sophistication.





# LUXURY

---

## STYLES THAT FIT

Our designs blend easily into your décor.

Bold, Avant Garde fans break with tradition and demand attention.

Naturalistic fans ground your space with a timeless elegance.

Streamlined shapes and geometric designs of our Minimalist fans blend style and functionality.







# SIMPLICITY


---

Easily synchronize and control all your fans at once.

Control an unlimited number of fans within range of our Bluetooth remote or wall control.

Or...  
control them with Wi-Fi from anywhere in the world through our Modern Forms App.



 works with  
Google Assistant

 WORKS WITH  
amazon alexa

Control 

 Bluetooth®

 ecobee

 Works with  
SmartThings

 JOSH



# TECHNOLOGY

Close your eyes and vacation at home.



## BREEZE MODE

Simulate the playful wind.



## COLOR TEMPERATURE

Pick a white light that makes you look sexy.



## VOICE CONTROL

Speak naturally to command your fan and light.



## PRIVACY

Peace of mind. Works on Wi-Fi without internet.

# 60" WYND



# 60" WYND



Model: **FR-W1801-60L**

Finish	Housing	Blade
<b>BZ</b>	Bronze	Bronze
<b>SS</b>	Stainless Steel	Stainless Steel
<b>GH/WG</b>	Graphite	Weathered Gray
<b>MB</b>	Matte Black	Matte Black
<b>MW</b>	Matte White	Matte White

Example: **FR-W1801-60L-BZ**

Specifications:

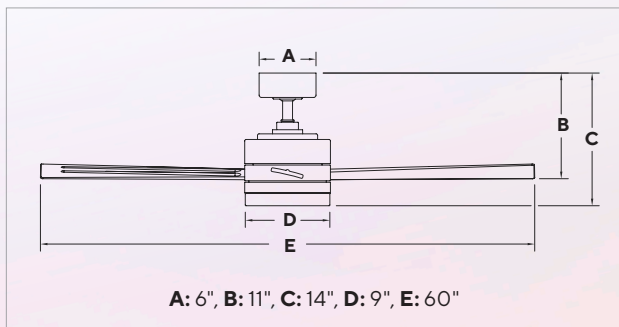
<b>Blade:</b>	13° Pitch, 60" Sweep, ABS
<b>Downrod:</b>	0.75"ID x 4.5"H Included
<b>Mounting Slope:</b>	Up to 30°
<b>Lead Wire:</b>	80"
<b>Hanging Weight:</b>	19 lbs
<b>Total Power:</b>	51W
<b>LED Lumens:</b>	1600
<b>LED Power:</b>	20W
<b>CRI:</b>	90
<b>Color Temp:</b>	3000K
<b>Rated Life:</b>	50,000hrs



**FR-W1801-60L-MB**

60" Wynd in Matte Black

Shown with included luminaire cover



## ENERGY GUIDE

	Standard	High Speed	Weighted Average
Electricity		34W	24W
Airflow		7116 CFM	4792 CFM
Energy Costs*		-	\$5/yr
Efficiency		208 CFM/W	200 CFM/W

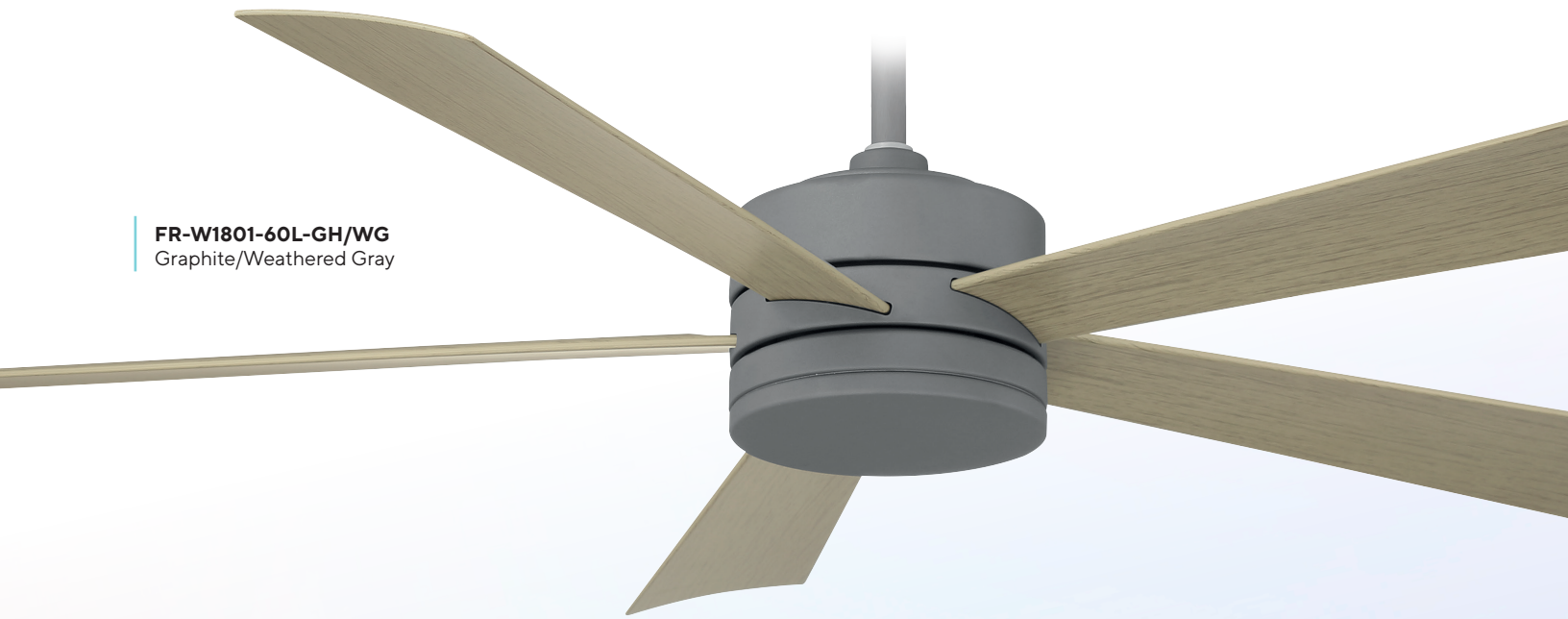
\* Estimated annual energy cost based on \$0.12 per kWh and 6.4 hours use per day.



# 60" WYND

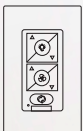


**FR-W1801-60L-SS**  
Stainless Steel



**FR-W1801-60L-GH/WG**  
Graphite/Weathered Gray

## BLUETOOTH WALL CONTROL



**F-WCBT-WT**  
Included with each fan  
6 speeds  
Dims light to 1%  
ON/OFF

## OPTIONAL BLUETOOTH REMOTE CONTROL



**F-RCBT-WT**  
Optional with each fan  
6 speeds  
Dims light to 1%  
ON/OFF

60" WYND



**FR-W1801-60L-MB**  
Matte Black



**FR-W1801-60L-MW**  
Matte White



# 52" & 66" RENEGADE





# 52" & 66" RENEGADE



Model: **FR-W2001-66L**

Finish	Housing	Blade
<b>GH/WW</b>	Graphite	Weathered Wood
<b>MB</b>	Matte Black	Matte Black
<b>MW</b>	Matte White	Matte White
<b>OB/BW</b>	Oil rubbed Bronze	Barn Wood

Example: **FR-W2001-66L-GH/WW**

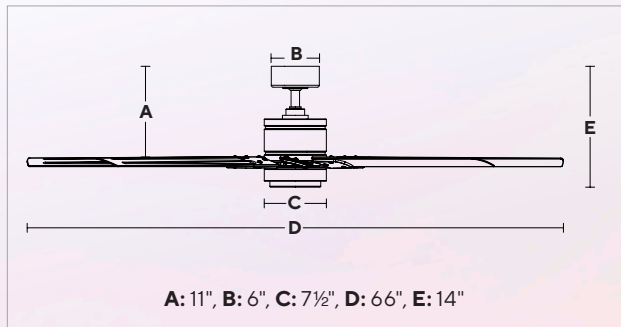
Specifications:

<b>Blade:</b>	14° Pitch, 66" Sweep, ABS
<b>Downrod:</b>	0.75" ID x 6"H Included
<b>Mounting Slope:</b>	Up to 30°
<b>Lead Wire:</b>	80"
<b>Hanging Weight:</b>	19 lbs
<b>Total Power:</b>	52W
<b>LED Lumens:</b>	1600
<b>LED Power:</b>	20W
<b>CRI:</b>	90
<b>Color Temp:</b>	3000K
<b>Rated Life:</b>	50,000hr



**FR-W2001-66L-MB**

66" Renegade in Graphite/Matte Black  
Shown with included luminaire cover



## ENERGY GUIDE

	Standard	High Speed	Weighted Average
Electricity		37W	26W
Airflow		9535 CFM	6470 CFM
Energy Costs*		-	\$7/yr
Efficiency		279 CFM/W	251 CFM/W

\* Estimated annual energy cost based on \$0.12 per kWh and 6.4 hours use per day.



# 52" & 66" RENEGADE

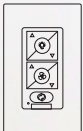


**FR-W2001-66L-OB/BW**  
Oil Rubbed Bronze/Barn Wood

**FR-W2001-66L-GH/WW**  
Graphite/Weathered Wood



## OPTIONAL BLUETOOTH WALL CONTROL



**F-WCBT-WT**  
Optional with each fan  
6 speeds  
Dims light to 1%  
ON/OFF

## BLUETOOTH REMOTE CONTROL



**F-RCBT-WT**  
Included with each fan  
6 speeds  
Dims light to 1%  
ON/OFF

# 52" & 66" RENEGADE



**FR-W2001-52L-GH/WW**  
Matte White



**FR-W2001-52L-MB**  
Matte Black

Model: **FR-W2001-52L**

Finish	Housing	Blade
<b>GH/WW</b>	Graphite	Weathered Wood
<b>MB</b>	Matte Black	Matte Black
<b>MW</b>	Matte White	Matte White
<b>OB/BW</b>	Oil rubbed Bronze	Barn Wood

Example: **FR-W2001-52L-MB**

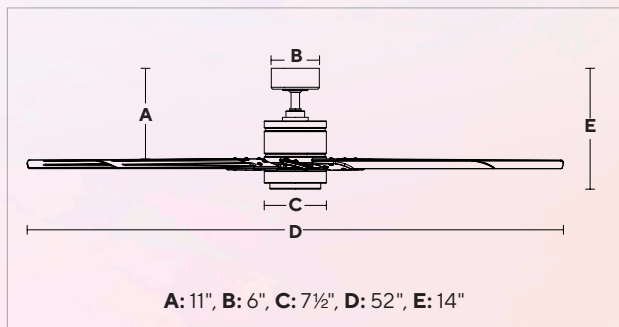
Specifications:

<b>Blade:</b>	14° Pitch, 52" Sweep, ABS
<b>Downrod:</b>	0.75" ID x 6" H Included
<b>Mounting Slope:</b>	Up to 30°
<b>Lead Wire:</b>	80"
<b>Hanging Weight:</b>	19 lbs
<b>Total Power:</b>	52W
<b>LED Lumens:</b>	1600
<b>LED Power:</b>	20W
<b>CRI:</b>	90
<b>Color Temp:</b>	3000K
<b>Rated Life:</b>	50,000hr



**FR-W2001-52L-MB**

52" Renegade in Graphite/Matte Black  
Shown with included luminaire cover



## ENERGY GUIDE

Standard	High Speed	Weighted Average
Electricity	32.5 W	23 W
Airflow	7445 CFM	4680 CFM
Energy Costs*	-	\$6/yr
Efficiency	219 CFM/W	203 CFM/W

\* Estimated annual energy cost based on \$0.12 per kWh and 6.4 hours use per day.



# 72" WOODY



# 72" WOODY



Model: **FR-W1814-72L**

Finish	Housing	Blade
<b>BZ/DW</b>	Bronze	Dark Walnut
<b>MB/DK</b>	Matte Black	Distressed Koa
<b>GH/WG</b>	Graphite	Weathered Gray

Example: **FR-W1814-72L-BZ/DW**

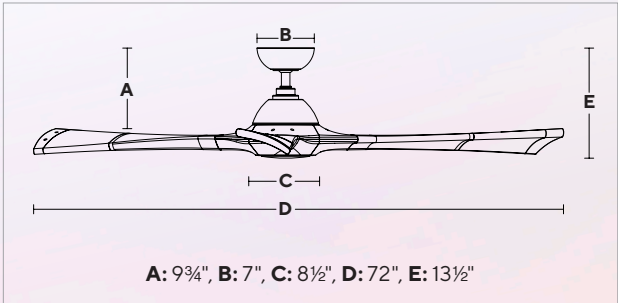
Specifications:

<b>Blade:</b>	15° Pitch, 72" Sweep, ABS
<b>Downrod:</b>	0.75"ID x 4.5"H Included
<b>Mounting Slope:</b>	Up to 30°
<b>Lead Wire:</b>	80
<b>Hanging Weight:</b>	20 lbs
<b>Total Power:</b>	60W
<b>LED Lumens:</b>	1600
<b>LED Power:</b>	20W
<b>CRI:</b>	90
<b>Color Temp:</b>	3000K
<b>Rated Life:</b>	50,000hr



**FR-W1814-72L-BZ/DW**

72" Woody in Bronze/Dark Walnut  
Shown with included luminaire cover



ENERGY GUIDE

Standard	High Speed	Weighted Average
Electricity	51W	34W
Airflow	10546 CFM	7690 CFM
Energy Costs*	-	\$10/yr
Efficiency	310 CFM/W	227 CFM/W

\* Estimated annual energy cost based on \$0.12 per kWh and 6.4 hours use per day.

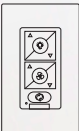


# 72" WOODY



**FR-W1814-72L-GH/WG**  
Graphite/Weathered Gray

### BLUETOOTH WALL CONTROL



**F-WCBT-WT**  
Included with each fan  
6 speeds  
Dims light to 1%  
ON/OFF

### OPTIONAL BLUETOOTH REMOTE CONTROL



**F-RCBT-WT**  
Optional with each fan  
6 speeds  
Dims light to 1%  
ON/OFF

# 72" WOODY



**FR-W1814-72L-BZ/DW**  
Bronze/Dark Walnut



**FR-W1814-72L-MB/DK**  
Matte Black/Distressed Koa



# 70" AVIATOR 5





# 70" AVIATOR 5



Model: **FR-W1811-70**

Finish	Housing	Blade
<b>MB/DK</b>	Matte Black	Distressed Koa
<b>GH/WG</b>	Graphite	Weathered Gray



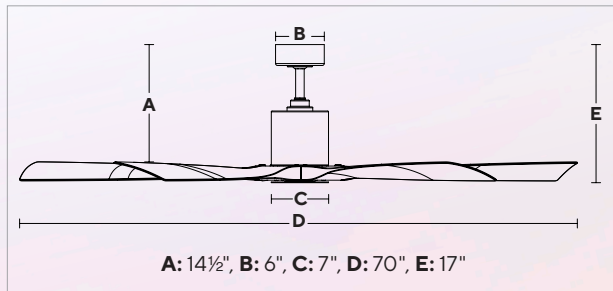
**FR-W1811-70-MB/DK**

70" Aviator in Matte Black/Distressed Koa  
Shown with optional luminaire

Example: **FR-W1811-70-MB/DK**

Specifications:

<b>Blade:</b>	14° Pitch, 70" Sweep, ABS
<b>Downrod:</b>	0.75"ID x 4.5"H Included
<b>Mounting Slope:</b>	Up to 30°
<b>Lead Wire:</b>	80"
<b>Hanging Weight:</b>	23 lbs
<b>Total Power:</b>	35W
<b>LED Lumens:</b>	1600
<b>LED Power:</b>	20W
<b>CRI:</b>	90
<b>Color Temp:</b>	3000K
<b>Rated Life:</b>	50,000hr



ENERGY GUIDE

Standard	High Speed	Weighted Average
Electricity	40W	28W
Airflow	11779 CFM	8431 CFM
Energy Costs*	-	\$8/yr
Efficiency	337 CFM/W	306 CFM/W

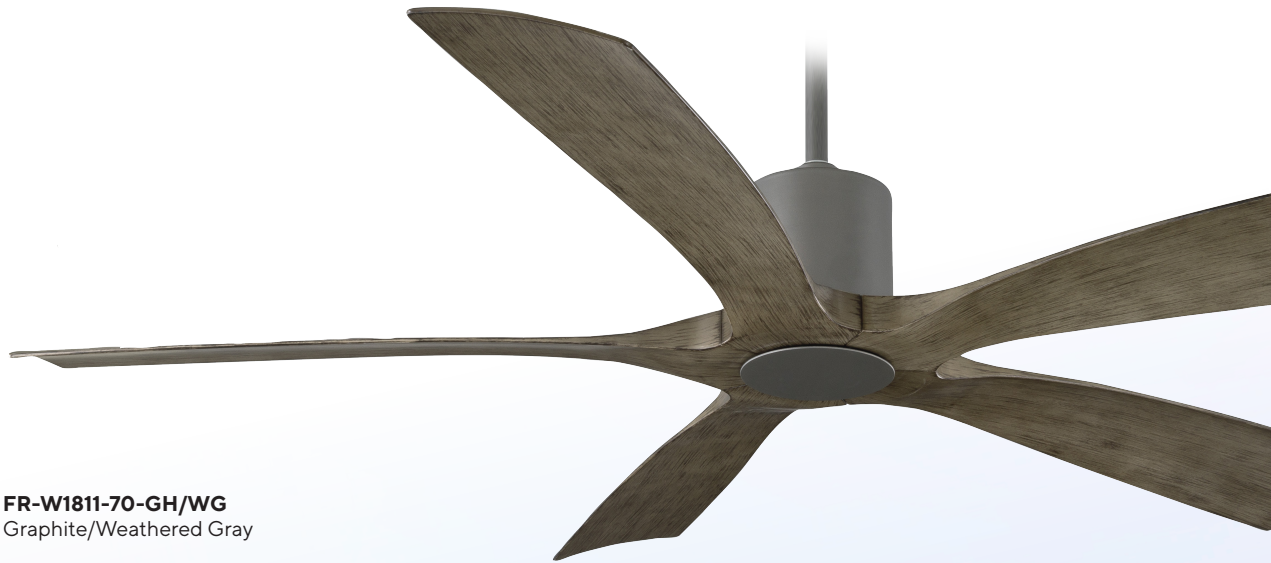
\* Estimated annual energy cost based on \$0.12 per kWh and 6.4 hours use per day.



# 70" AVIATOR 5

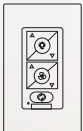


**FR-W1811-70-MB/DK**  
Matte Black/Distressed Koa



**FR-W1811-70-GH/WG**  
Graphite/Weathered Gray

## BLUETOOTH WALL CONTROL



**F-WCBT-WT**  
Included with each fan  
6 speeds  
Dims light to 1%  
ON/OFF

## OPTIONAL BLUETOOTH REMOTE CONTROL



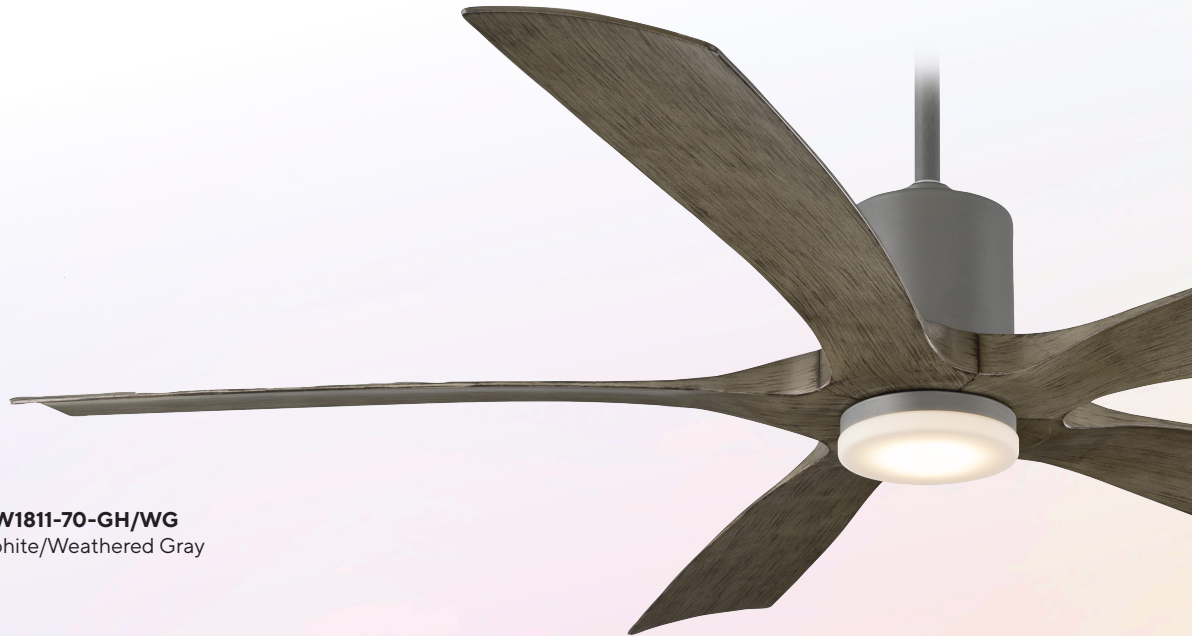
**F-RCBT-WT**  
Optional with each fan  
6 speeds  
Dims light to 1%  
ON/OFF

\*Applies to 70" & 54"

# 70" AVIATOR 5



**FR-W1811-70-MB/DK**  
Matte Black/Distressed Koa



**FR-W1811-70-GH/WG**  
Graphite/Weathered Gray

## OPTIONAL LUMINAIRE (Sold Separately)

**F-1811-5-LED-MB**

Matte Black



**F-1811-5-LED-GH**

Graphite



# 54" DOWNROD AVIATOR 5



**FR-W1811-5-MB/DK**  
Matte Black/Distressed Koa

Model: **FR-W1811-5**

Finish	Housing	Blade
<b>MB/DK</b>	Matte Black	Distressed Koa
<b>GH/WG</b>	Graphite	Weathered Gray

Example: **FR-W1811-5-MB/DK**

Specifications:

<b>Blade:</b>	14° Pitch, 54" Sweep, ABS
<b>Downrod:</b>	0.75"ID x 4.5"H Included
<b>Mounting Slope:</b>	Up to 30°
<b>Lead Wire:</b>	80"
<b>Hanging Weight:</b>	23 lbs
<b>Total Power:</b>	35W
<b>LED Lumens:</b>	1600 <b>(Optional Luminaire)</b>
<b>LED Power:</b>	20W <b>(Optional Luminaire)</b>
<b>CRI:</b>	90 <b>(Optional Luminaire)</b>
<b>Color Temp:</b>	3000K <b>(Optional Luminaire)</b>
<b>Rated Life:</b>	50,000hr <b>(Optional Luminaire)</b>

Model: **F-1811-5-LED**

OPTIONAL LUMINAIRE (Sold Separately)

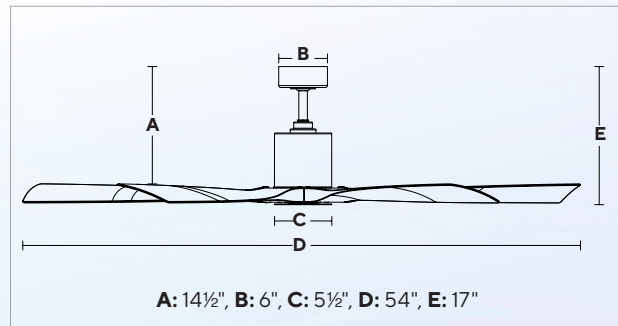
**MB** Matte Black



**GH** Graphite



Example: **F-1811-5-LED-GH**



## ENERGY GUIDE

	Standard	High Speed	Weighted Average
Electricity		34W	24W
Airflow		7116 CFM	4792 CFM
Energy Costs*		\$7/yr	\$5/yr
Efficiency		208 CFM/W	200 CFM/W

\* Estimated annual energy cost based on \$0.12 per kWh and 6.4 hours use per day.

# 54" FLUSH AVIATOR 5



**FH-W1811-5-GH/WG**  
Graphite/Weathered Gray

Model: **FH-W1811-5**

Finish	Housing	Blade
<b>MB/DK</b>	Matte Black	Distressed Koa
<b>GH/WG</b>	Graphite	Weathered Gray

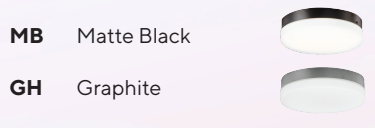
Example: **FR-W1811-5-MB/DK**

Specifications:

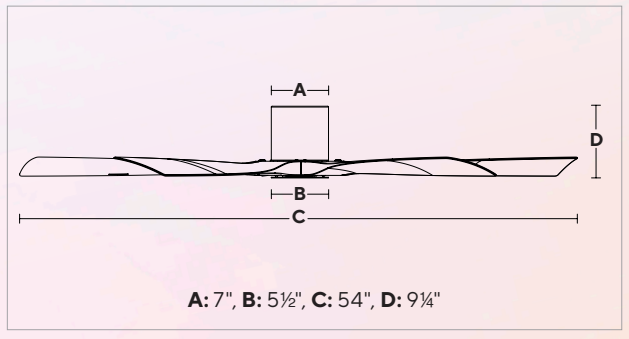
<b>Blade:</b>	14° Pitch, 54" Sweep, ABS
<b>Lead Wire:</b>	80"
<b>Hanging Weight:</b>	23 lbs
<b>Total Power:</b>	35W
<b>LED Lumens:</b>	1600 (Optional Luminaire)
<b>LED Power:</b>	20W (Optional Luminaire)
<b>CRI:</b>	90 (Optional Luminaire)
<b>Color Temp:</b>	3000K (Optional Luminaire)
<b>Rated Life:</b>	50,000hr (Optional Luminaire)

Model: **F-1811-5-LED**

OPTIONAL LUMINAIRE (Sold Separately)



Example: **F-1811-5-LED-GH**



## ENERGY GUIDE

	Standard	High Speed	Weighted Average
Electricity		34W	24W
Airflow		6886 CFM	4492 CFM
Energy Costs*		-	\$5/yr
Efficiency		208 CFM/W	200 CFM/W

\* Estimated annual energy cost based on \$0.12 per kWh and 6.4 hours use per day.



# 52" SLIM



# 52" SLIM



Model: **FR-W2003-52L**

Finish	Housing	Blade
<b>MB</b>	Matte Black	Matte Black
<b>MW</b>	Matte White	Matte White
<b>BA</b>	Brushed Aluminum	Titanium Silver

Example: **FR-W2003-52L-MB**

### Specifications:

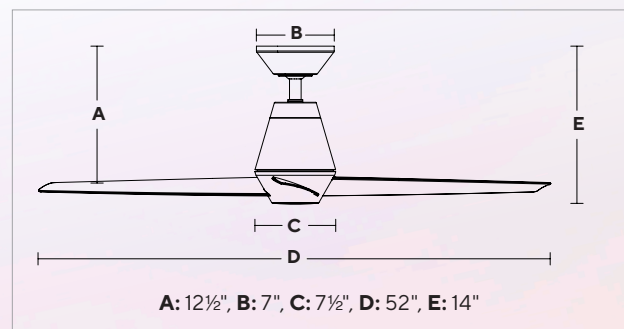
<b>Blade:</b>	14° Pitch, 52" Sweep, ABS
<b>Downrod:</b>	0.75"ID x 4.5"H Included
<b>Mounting Slope:</b>	Up to 30°
<b>Lead Wire:</b>	80"
<b>Hanging Weight:</b>	17 lbs
<b>Total Power:</b>	47W
<b>LED Lumens:</b>	1110
<b>LED Power:</b>	13W
<b>CRI:</b>	90
<b>Color Temp:</b>	3000K
<b>Rated Life:</b>	50,000hr



**FR-W2003-52L-MW**

52" Slim in Matte Black

Shown with included luminaire cover



### ENERGY GUIDE

	Standard	High Speed	Weighted Average
Electricity		19W	16W
Airflow		6142 CFM	4158 CFM
Energy Costs*		-	\$5/yr
Efficiency		256 CFM/W	181 CFM/W

\* Estimated annual energy cost based on \$0.12 per kWh and 6.4 hours use per day.



# 52" SLIM

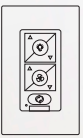


**FR-W2003-52L-MW**  
Matte White



**FR-W2003-52L-MB**  
Matte Black

## OPTIONAL BLUETOOTH WALL CONTROL



**F-WCBT-WT**  
Optional with each fan  
6 speeds  
Dims light to 1%  
ON/OFF

## BLUETOOTH REMOTE CONTROL



**F-RCBT-WT**  
Included with each fan  
6 speeds  
Dims light to 1%  
ON/OFF



# 52" SLIM FLUSH



Model: **FH-W2003-52L**

Finish	Housing	Blade
<b>MB</b>	Matte Black	Matte Black
<b>MW</b>	Matte White	Matte White
<b>BA</b>	Brushed Aluminum	Titanium Silver

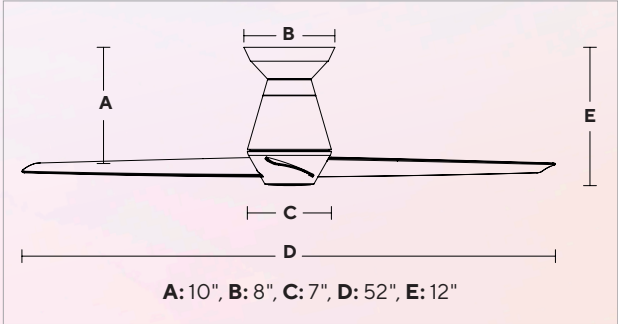
Example: **FH-W2003-52L-MB**

Specifications:

<b>Blade:</b>	14° Pitch, 52" Sweep, ABS
<b>Lead Wire:</b>	80"
<b>Hanging Weight:</b>	17 lbs
<b>Total Power:</b>	47W
<b>LED Lumens:</b>	1110
<b>LED Power:</b>	13W
<b>CRI:</b>	90
<b>Color Temp:</b>	3000K
<b>Rated Life:</b>	50,000hr



**FH-W2003-52L-BA**  
 52" Slim in Brushed Aluminum/ Titanium Silver  
 Shown with included luminaire cover



ENERGY GUIDE

Standard	High Speed	Weighted Average
Electricity	34W	24W
Airflow	5885 CFM	3961 CFM
Energy Costs*	-	\$5/yr
Efficiency	242 CFM/W	173 CFM/W

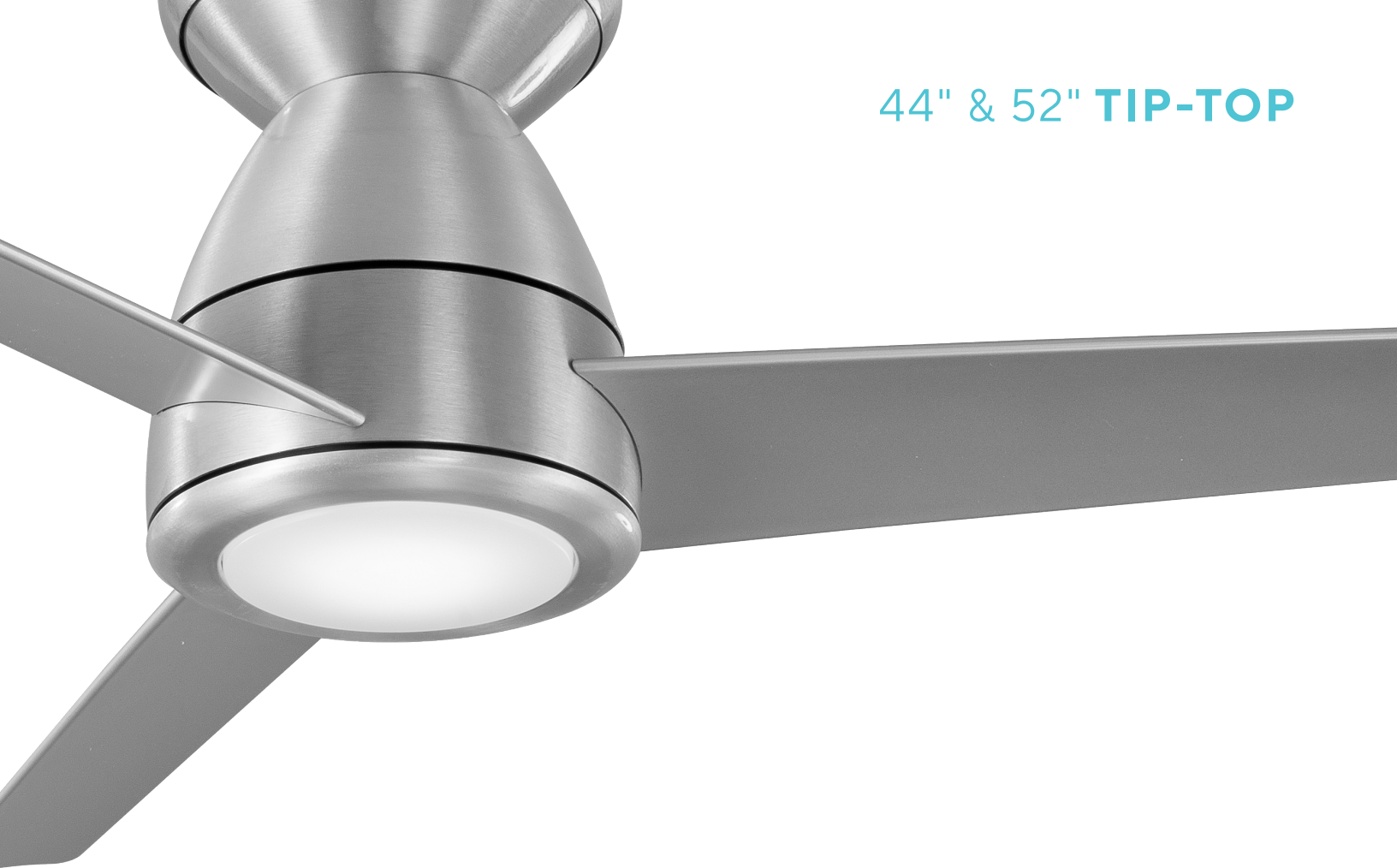
\* Estimated annual energy cost based on \$0.12 per kWh and 6.4 hours use per day.



# 44" & 52" TIP-TOP



# 44" & 52" TIP-TOP



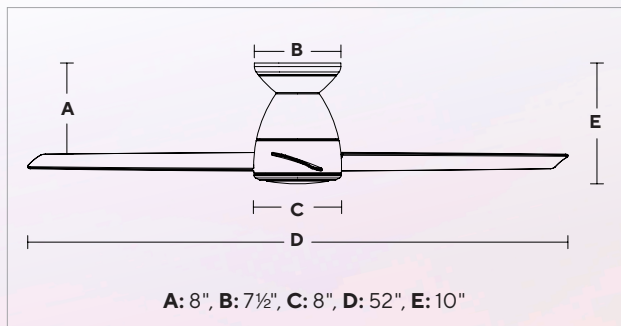
Model: **FR-W2004-52L**

Finish	Housing	Blade
<b>BA</b>	Brushed Aluminum	Titanium Silver
<b>MW</b>	Matte White	Matte White

Example: **FR-W2004-52L-BA**

Specifications:

<b>Blade:</b>	14° Pitch, 52" Sweep, ABS
<b>Lead Wire:</b>	80"
<b>Hanging Weight:</b>	19 lbs
<b>Total Power:</b>	49W
<b>LED Lumens:</b>	1110
<b>LED Power:</b>	13W
<b>CRI:</b>	90
<b>Color Temp:</b>	3000K
<b>Rated Life:</b>	50,000hr



ENERGY GUIDE

Standard	High Speed	Weighted Average
Electricity	19W	24W
Airflow	5253 CFM	3491 CFM
Energy Costs*	-	\$4/yr
Efficiency	276 CFM/W	223 CFM/W

\* Estimated annual energy cost based on \$0.12 per kWh and 6.4 hours use per day.



# 44" & 52" TIP-TOP



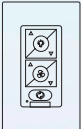
**FH-W2004-52L-MW**  
Matte White

### BLUETOOTH REMOTE CONTROL



**F-RCBT-WT**  
Included with each fan  
6 speeds  
Dims light to 1%  
ON/OFF

### OPTIONAL BLUETOOTH WALL CONTROL



**F-WCBT-WT**  
Optional with each fan  
6 speeds  
Dims light to 1%  
ON/OFF

# 44" & 52" TIP-TOP



**FH-W2004-44L-BA**  
Brushed Aluminum

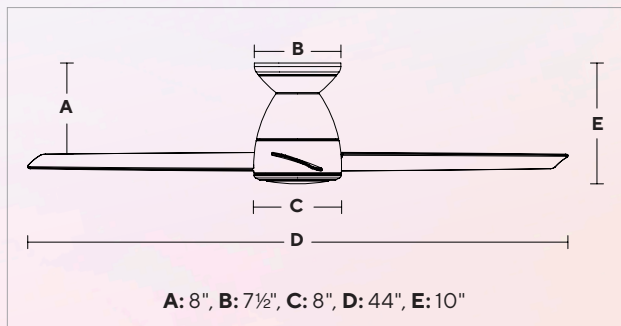
Model: **FH-W2004-44L**

Finish	Housing	Blade
<b>BA</b>	Brushed Aluminum	Titanium Silver
<b>MB</b>	Matte Black	Matte Black
<b>MW</b>	Matte White	Matte White

Example: **FH-W2004-44L-BA**

Specifications:

<b>Blade:</b>	14° Pitch, 44" Sweep, ABS
<b>Lead Wire:</b>	80"
<b>Hanging Weight:</b>	19 lbs
<b>Total Power:</b>	49W
<b>LED Lumens:</b>	1110
<b>LED Power:</b>	13W
<b>CRI:</b>	90
<b>Color Temp:</b>	3000K
<b>Rated Life:</b>	50,000hr



ENERGY GUIDE

Standard	High Speed	Weighted Average
Electricity	16W	13W
Airflow	4351 CFM	2798 CFM
Energy Costs*	-	\$4/yr
Efficiency	290 CFM/W	211 CFM/W

\* Estimated annual energy cost based on \$0.12 per kWh and 6.4 hours use per day.



# 52 & 62" ZEPHYR



# 52" & 62" ZEPHYR



Model: **FR-W2006-52L**

Finish	Housing	Blade
<b>MB/DK</b>	Matte Black	Distressed Koa
<b>GH/WW</b>	Graphite	Weathered Wood
<b>MB</b>	Matte Black	Matte Black
<b>MW</b>	Matte White	Matte White

Example: **FR-W2006-52L-MW**

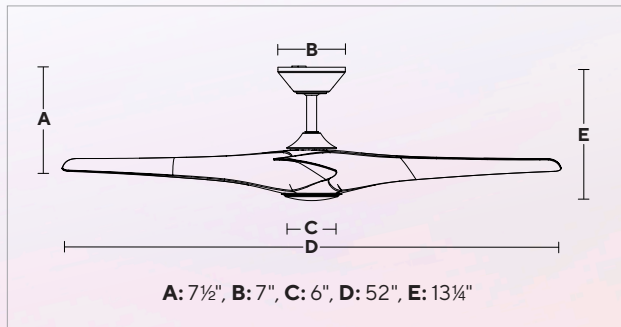
Specifications:

<b>Blade:</b>	14° Pitch, 52" Sweep, ABS
<b>Downrod:</b>	0.75"ID x 4.5"H Included
<b>Mounting Slope:</b>	Up to 30°
<b>Lead Wire:</b>	80"
<b>Hanging Weight:</b>	17 lbs
<b>Total Power:</b>	47W
<b>LED Lumens:</b>	1600
<b>LED Power:</b>	20W
<b>CRI:</b>	90
<b>Color Temp:</b>	3000K
<b>Rated Life:</b>	50,000hr



**FR-W2006-52L-MB/DK**

52" Zephyr in Matte Black/Distressed Koa  
Shown with included luminaire cover



ENERGY GUIDE

Standard	High Speed	Weighted Average
Electricity	22W	13W
Airflow	6744 CFM	4527 CFM
Energy Costs*	-	\$4/yr
Efficiency	222 CFM/W	263 CFM/W

\* Estimated annual energy cost based on \$0.12 per kWh and 6.4 hours use per day.



# 52" & 62" ZEPHYR



**FR-W2006-52L-MB**  
Matte Black



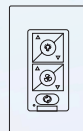
**FR-W2006-52L-MB/DK**  
Matte Black/ Distressed Koa

## BLUETOOTH REMOTE CONTROL



**F-RCBT-WT**  
Included with each fan  
6 speeds  
Dims light to 1%  
ON/OFF

## OPTIONAL BLUETOOTH WALL CONTROL



**F-WCBT-WT**  
Optional with each fan  
6 speeds  
Dims light to 1%  
ON/OFF

\*Applies to 52" & 62"



# 52" & 62" ZEPHYR



**FR-W2006-62L-MW**  
Matte White



**FR-W2006-62L-GH/WW**  
Graphite/Weathered Wood

Model: **FR-W2006-62L**

Finish	Housing	Blade
<b>MB/DK</b>	Matte Black	Distressed Koa
<b>GH/WW</b>	Graphite	Weathered Wood
<b>MB</b>	Matte Black	Matte Black
<b>MW</b>	Matte White	Matte White

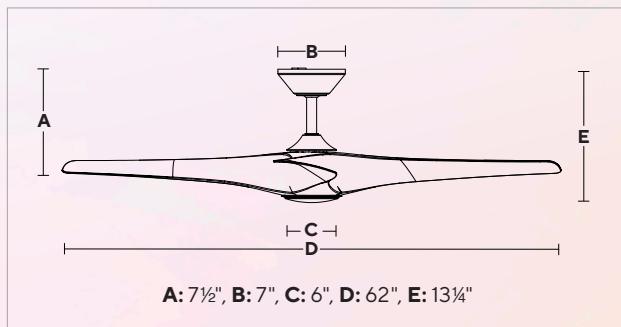


**FR-W2006-62L-MB/DK**  
62" Zephyr in Distressed Koa  
Shown with included luminaire cover

Example: **FR-W2006-62L-MW**

Specifications:

<b>Blade:</b>	14° Pitch, 62" Sweep, ABS
<b>Downrod:</b>	0.75"ID x 4.5"H Included
<b>Mounting Slope:</b>	Up to 30°
<b>Lead Wire:</b>	80"
<b>Hanging Weight:</b>	17 lbs
<b>Total Power:</b>	47W
<b>LED Lumens:</b>	1600
<b>LED Power:</b>	20W
<b>CRI:</b>	90
<b>Color Temp:</b>	3000K
<b>Rated Life:</b>	50,000hr



## ENERGY GUIDE

Standard	High Speed	Weighted Average
Electricity	22 W	13 W
Airflow	7244 CFM	5027 CFM
Energy Costs*	-	\$4/yr
Efficiency	263 CFM/W	222 CFM/W

\* Estimated annual energy cost based on \$0.12 per kWh and 6.4 hours use per day.



## Accessories



### Bluetooth Wall Control



#### F-WCBT-WT

Included with each fan  
6 fan speeds  
Dims light to 1%  
ON/OFF

### Bluetooth Remote Control



#### F-WCBT-WT

Included with each fan  
6 fan speeds  
Dims light to 1%  
ON/OFF

### WiFi Touch Panel Wall Control





#### F-TS-WT White

#### F-TS-BK Black

Sold separately  
Full app control  
Wi-Fi range: Up to 150ft from router\*

\*Result may vary based on application/surroundings

## Downrod and Cap Couplers

Downrod		<b>XF-12</b> 12in	<b>XF-48</b> 48in	All our downrods are 1" O.D. and are threaded on the motor end to create an extra layer of security and allow for adjustments in the field.	<b>AS</b> Automotive Silver <b>BA</b> Brushed Aluminum <b>BZ</b> Bronze <b>CFI</b> *Carbon Fiber <b>GB</b> Gloss Black <b>GH</b> Graphite <b>GW</b> Gloss White	<b>KO</b> *Koa <b>MB</b> Matte Black <b>MW</b> Matte White <b>OB</b> Oil Rubbed Bronze <b>SS</b> Stainless Steel <b>TT</b> Titanium Silver
		<b>XF-18</b> 18in	<b>XF-60</b> 60in			
		<b>XF-24</b> 24in	<b>XF-72</b> 72in			
		<b>XF-36</b> 36in				
Downrod Couplers		<b>XF-I</b>	Connects two downrods together			

Example: **XF-18-TT**


\*Carbon Fiber only in 12", 18", 24", and 36"

\*Koa only in 12", 18", 24", and 36"

### Suggested downrod height usage

Ceiling Height	15'	14'	13'	12'	11'	10'	9'
Downrod	72"	60"	48"	36"	24"	18"	12"

## Sloped Ceiling Kit Designed to accommodate buildings with steeper sloped ceilings up to 45° or 12/12 pitch

Sloped Ceiling Kit		<b>XF-SCK</b>	<b>AS</b> Automotive Silver <b>BA</b> Brushed Aluminum <b>BZ</b> Bronze <b>CFI</b> Carbon Fiber <b>DW</b> Dark Walnut <b>GB</b> Gloss Black <b>GH</b> Graphite <b>GW</b> Gloss White	<b>KO</b> Koa <b>MB</b> Matte Black <b>MW</b> Matte White <b>OB</b> Oil Rubbed Bronze <b>SS</b> Stainless Steel <b>TT</b> Titanium Silver
--------------------	---	---------------	---	--

Example: **XF-SCK-DW**

### Sloped ceiling degree conversion chart

Degree	4-8°	9-13°	14-17°	18-21°	22-25°	26-29°	30-32°	33-35°	36-38°	39-41°	42-44°	45°
Ceiling Slope Pitch	1/12 pitch	2/12 pitch	3/12 pitch	4/12 pitch	5/12 pitch	6/12 pitch	7/12 pitch	8/12 pitch	9-12 pitch	10/12 pitch	11/12 pitch	12/12 pitch

Supplied mounting brackets allow mounting on ceiling slopes up to 30° (7/12 pitch), optional slope kit allows mounting on ceilings up to 45° (12/12 pitch). The receiver will mount inside canopy.

# Professional Assets

## LOCAL & GLOBAL CONTROL: THE WI-FI and BLUETOOTH STORY

With the Bluetooth remote or wall control, you can control an unlimited number of fans within signal range – one – five – twenty-five. With Wi-Fi, the app can control a virtually unlimited number of fans—one, twenty, two hundred...you name it.

---

### **Best of Both Worlds:**

The remote or wall control may be used in conjunction with the Modern Forms app if desired, to have both local and global control.

### **Form a Group:**

Create groups of fans to make scheduling more efficient. Organize them by room type, floor number, location or style.

### **Plays Well with Others:**

The Modern Forms app ties into other building control systems such as Control 4 and Samsung SmartThings.

### **Bluetooth:**

A Bluetooth enabled remote or wall control is supplied with every new Modern Forms Smart Fan. For instantaneous control, Bluetooth is best. Powerful enough to pass through walls and doesn't require line of sight as required by IR.

### **Local Control:**

The Bluetooth remote or wall control makes it convenient to operate your fans locally without relying on Wi-Fi or Internet access to connect with a cloud.

### **Synchronized Spinning:**

Problem-free installation and operation of multiple fans in a series. Hold the button on the remote to set all fans in a group to the same setting.

### **No Plan? No Problem:**

Control one or all of the fans in a room with any number of remote or wall controls without the need for complicated 3-way or 4-way wiring.

### **By Invitation Only:**

Invite users to control fans via the app—they can customize their own schedules temporarily while you maintain master control.

### **Go Big or Go Home:**

Modern Forms DC motors provide the torque necessary to quietly and efficiently power the largest designer fans on the market with superior CFM rating for air movement.

### **Sensorless DC motors:**

Proprietary technologies were developed to control DC motors without the need for optical sensors, which have shorter lifespans.

## ILLUMINATING EXPERIENCES:

Ceiling fans are commonly the only light source in a room. The luminaires within Modern Forms Smart Fans were custom designed to accommodate each unique fan to provide the maximum amount of usable illumination. Each luminaire incorporates WAC's proprietary dimming and control technology for smooth and continuous full-spectrum dimming from 100% to 1%. Available in 2700K, 3000K and 3500K color temperature modules.

## Entire Line of Modern Forms Smart Fans

Size	Model	Name	Finishes	Wet Listing	Luminaire	CFM
26"	FH-W1802-26L	VOX	BZ, MW, TT	YES	YES	2617
38"	FH-W1802-38L	VOX	BZ, MW, TT	YES	YES	4860
42"	FR-W1801-42L	WYND	BZ, GH/WG, MW, SS, MB	YES	YES	4722
52"	FH-W1803-52L	AXIS	BZ, MW, TT	YES	YES	4813
52"	FR-W1803-52L	AXIS	BZ, MW, TT	YES	YES	5053
52"	FR-W1819-52L	MYKONOS	BZ/DW, GH/WG, MW	YES	YES	5236
52"	FR-W1910-52	ROBOTO	BA, MW, MB	YES	NO	5194
52"	FR-W1801-52L	WYND	BZ, GH/WG, MW, SS, MB	YES	YES	6568
54"	FH-W1811-54	AVIATOR FLUSH	MB/DK, GH/WG	YES	OPTIONAL	6321
54"	FR-W1811-54	AVIATOR	MB/DK, GH/WG	YES	OPTIONAL	7074
54"	FR-W1809-54L	LOTUS	BZ, MW	YES	YES	5575
56"	FR-W1806-56L	CERVANTES	GH/WG, OB/DW	YES	YES	6577
56"	FR-W1818-56L	NAUTILUS	OB/DW, GH/WG	YES	YES	7013
56"	FR-W1916-56L	NIRVANA	TT, GW, MB, KO	YES	YES	6989
56"	FR-W1817-56L	OSPREY	GH/WG, OB/DW	YES	YES	6278
56"	FR-W1922-56L	PARADOX	AV/MB, AB/MB	YES	YES	7672
60"	FR-W1812-60L	MORPHEUS II	GW, AS, CFI	YES	YES	7027
60"	FR-W1813-60L	MORPHEUS III	GW, AS, CFI	YES	YES	7244
60"	FR-W1920-60L	VENUS	TT/MW, AB/BZ, AV/MB	YES	YES	7154
60"	FR-W1810-60	VORTEX	AS, GB, GW	YES	NO	7720
60"	FR-W1815-60L	WINDFLOWER	GH/WG, OB/DW, MB/DK	YES	YES	8458
60"	FR-W1814-60L	WOODY	GH/WG, BZ/DW, MB/DK	YES	YES	7268
62'	FR-W1910-62	ROBOTO	BA, MW, MB	YES	NO	6384
80"	FR-W1805-80L	HYDRA	BZ, TT	YES	YES	11308
80"	FR-W1815-80L	WINDFLOWER	GH/WG, OB/DW, MB/DK	YES	YES	10647
96"	FR-W1805-96L	HYDRA	BZ, TT	YES	YES	12950
120"	FR-W1805-120L	HYDRA	BZ, TT	YES	YES	13300

## NEW 2020 Modern Forms Smart Fans

Size	Model	Name	Finishes	Wet Listing	Luminaire	High CFM
70"	FR-W1811-70	AVIATOR 5	GH/WG, MB/DK	YES	OPTIONAL	11,779
54"	FR-W1811-5	AVIATOR 5	GH/WG, MB/DK	YES	OPTIONAL	7,116
54"	FH-W1811-5	AVIATOR 5 FLUSH	GH/WG, MB/DK	YES	OPTIONAL	6,886
52"	FR-W2001-52L	RENEGADE	GH/WW, MB, MW, OB/BW	YES	YES	7,445
66"	FR-W2001-66L	RENEGADE	GH/WW, MB, MW, OB/BW	YES	YES	9,535
52"	FR-W2003-52L	SLIM	BA, MB, MW	YES	YES	6,142
52"	FH-W2003-52L	SLIM FLUSH	BA, MB, MW	YES	YES	5,885
44"	FH-W2004-44L	TIP-TOP	BA, MW	YES	YES	4,351
52"	FH-W2004-52L	TIP-TOP	BA, MW	YES	YES	5,253
72"	FR-W1814-72L	WOODY	BZ/DW, GH/WG, MB/DK	YES	YES	10,546
42"	FR-W1801-42L	WYND	MB, BZ, SS, MW, GH/WG	YES	YES	4,722
52"	FR-W1801-52L	WYND	MB, BZ, SS, MW, GH/WG	YES	YES	7,160
60"	FR-W1801-60L	WYND	MB, BZ, SS, MW, GH/WG	YES	YES	7,160
52"	FR-W2006-52L	ZEPHYR	GH/WW, MB, MW, MB/DK	YES	YES	6,744
62"	FR-W2006-62L	ZEPHYR	GH/WW, MB, MW, MB/DK	YES	YES	7,244

### Model Number Guide



FR = Ceiling Fan  
 FH = Flush Mounted  
 W = Wet Listed  
 Model  
 Sweep size  
 L = Luminaire included  
 Housing finish / Blade finish

Code	AB	AS	AV	BA	BW	BZ	CFI	DK	GB	GH	GW	KO	MB	MW	OB	SS	TT	WG	WW	
Finish	Aged Brass	Automotive Silver	Antique Silver	Brushed Aluminum	Barn Wood	Bronze	Carbon Fiber	Dark Koa	Gloss Black	Graphite	Gloss White	Koa	Matte Black	Matte White	Oil Rubbed Bronze	Stainless Steel	Titanium Silver	Weathered Gray	Weathered Wood	

Example: **FR-W1819-52L-GH/WG**

# SMART HOME

Integration made simple.

---



## Headquarters

Tel: 800.526.2588

### West Coast Factory

1750 Archibald Ave  
Ontario, CA 91761

### East Coast Factory

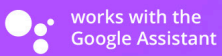
44 Harbor Park Dr  
Port Washington, NY 11050

### Central Factory

1600 Distribution Ct  
Lithia Springs, GA 30122

Consult the factory to take advantage of our custom capabilities in large quantities. For up to date product specifications and assistance please visit **modernforms.com**  
or call

**1-866-810-6615**



Modern Forms Fans retains the right to modify the design of our products at any time as part of the company's continuous improvement program. © 2020

modernforms.com | 866.810.6615